

RED HOURSE TAVERN

(Howes's Tavern, Sudbury)

Old Bar Wall Sconce

This is a replacement (stamped) sconce circa 1959, painted black for “aging”.
The dimensions have been altered slightly to accommodate standard 10 x 14 sheets.
One standard sheet will give 2 backs, 2 bottoms, and 2 cups.
I have included info to allow you to make your own calculations.

Cullendar swedge dims are approximate as all swedges are different. Make it look good.
Treat swedge arc as you would creasing swedge, with 2 points of contact. Do by eye as
arc and line never connect (adds character).

Burr bottom shy.

Bend back tab up and make square. (hammer)

Bend skirt from center. Insert candle cup where most convenient. Clamp skirt and
bottom centers. Use clamps (vise grips) to form arc and point solder from inside.

Bend tabs in inline with bottom.

Position back , clamp to bottom and solder. Clamp sides to back and solder.

Place the .25 hang hole, from the back, where convenient, on the CL.

The back and bottom patterns made for this sconce will be shared with many others.
My back patterns accommodate two projects. Yes, I am yankee.

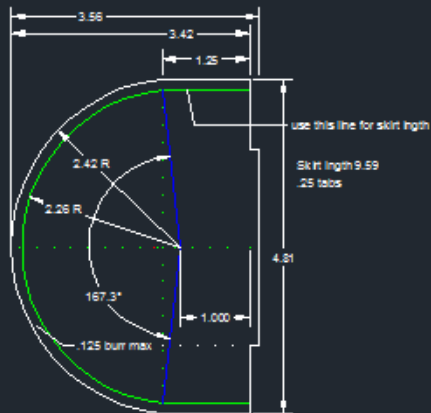
You may use this as you will. Please credit Brother Jonathan or my humble self with the
drawing.

I am,

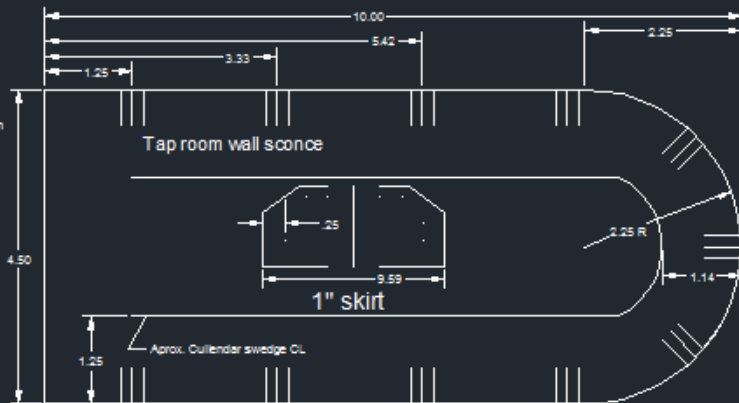
Your servant,

Larry Leonard
(Brother Jonathan)

.



Bottom dims include mat'l and bend rad. allowance



Brother Johathan aka Larry Leonard